

PA18SO1-BP54 Data Sheet

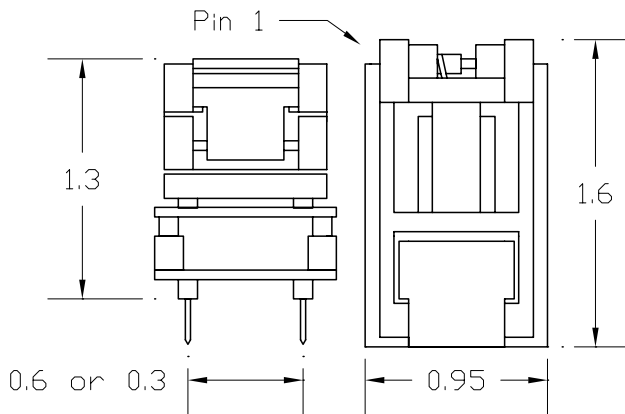
18 pin SO socket/28 pin DIP 0.3" plug

Supported Device/Footprints

Using this adapter, the Microchip PIC16C54 & PIC16C56 in the 18 pin SO package can be programmed on the BP Microsystems CP1128 programmer.

Mfgr	Device		Programmer	
	Device	Package	Device	Plug
Microchip	PIC16C54	18 SO	PIC16C54	CP1128
	PIC16C56		PIC16C56	

Adapter Dimensions



PA18SO1-BP54

Adapter Wiring

The following chart shows the connections from the SOIC device to the adapter's DIP plug.

DEVICE	SIGNAL	PLUG
	N/C	1
	N/C	2
	N/C	3
	N/C	4
	N/C	5
1	RA2	6
2	RA3	7
3	RTCC	8
4	MCLR**	9
5	VSS	14
6	RB0	11
7	RB1	12
8	RB2	13
9	RB3	10
10	RB4	15
11	RB5	16
12	RB6	17
13	RB7	18
14	VDD	23
15	OSC2	20
16	OSC1	21
17	RA0	22
18	RA1	19
	N/C	24
	N/C	25
	N/C	26
	N/C	27
	N/C	28

** Active low

Adapter Construction

The adapter is made up of 2 sub-assemblies. They assemble via connectors making the adapter modular. This way the sub-assemblies can be replaced when they wear out.

When disassembling the adapter take care not to bend the pins. When reassembling the adapter note the pin 1 indicators to align the parts correctly.

Test Socket

SO test socket:

Enplas Part #: FP18(28H)-1.27-08

LSC Part #: 18(28H)SD-08

28SO08

Accepts the test socket.

18SOBP54

Performs the wiring in the Adapter Wiring section and provides the DIP plug.

LOGICAL

Logical Systems Corporation
PO Box 6184, Syracuse, NY 13217-6184 USA
Tel (315) 478-0722, FAX (315) 479-6753
S Y S T E M S www.logicals.com, Email: info@logicals.com

PA18SO1-BP54 Data Sheet
Doc: 18SOBP54.DOC
Rev 5/8/97
Page 1 of 1