

PA24-28-wDP(-PP) Data Sheet

24 pin DIP socket/28 pin PLCC plug

Introduction

This data sheet describes several adapters. They are all similar in that they have 24 pin DIP sockets and 28 pin PLCC plugs. They differ in the wiring from DIP device to PLCC plug.

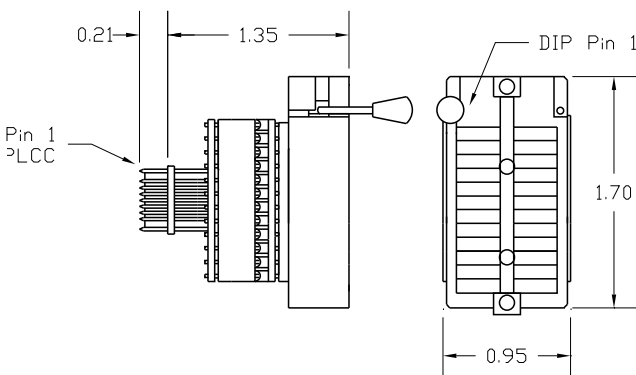
The "w" in PA24-28-wDP above identifies the adapter's wiring. The following chart identifies all the versions currently available.

Adapter	Wiring	Skips (shorts)
PA24-28-1DP	1	5, 8, 11, 19
PA24-28-2DP	2	1, 8, 15, 22
PA24-28-3DP	3	5, 10, 21, 22
PA24-28-5DP	5	1, 10, 15, 21
PA24-28-7DP	7	1, 11, 15, 19 (28-1), (14-15)

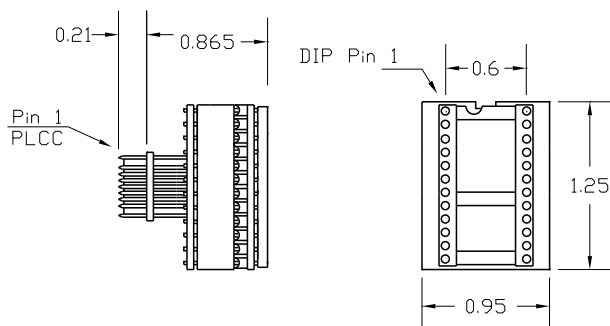
Supported Device/Footprints

These adapters support many devices by connecting between the DIP and PLCC packages of the device. Refer to the device's data sheet for DIP and PLCC pinouts. Then see the Adapter Wiring section to identify which adapter works for which device.

Adapter Dimensions



PA24-28-wDP



PA24-28-wDP-PP

Adapter Construction

The adapter is made up of 3 sub-assemblies. They assemble via connectors making the adapter modular. This way the sub-assemblies can be replaced when they wear out. When disassembling the adapter, take care not to bend the pins. When reassembling the adapter note the pin 1 indicators to align the parts correctly.

DIP ZIF test socket:

Aries Part #: 24-6554-11 LSC Part #: 24ADZ
(The PA24-28-wDP-PP has a production socket only.)

24-28-w-DIP

Accepts the test socket and performs the wiring shown in the Adapter Wiring section.

28PLUG

Provides the PLCC plug.

Adapter Wiring

Several different wiring patterns are described in this data sheet. Each wiring pattern is identified by a number. This chart shows in detail how each device pin is connected to the adapter's plug.

	DIP pin for each mapping					PLCC Plug
	'-1	'-2	'-3	'-5	'-7	
1	-	1	-	24	1	
2	1	2	1	1	2	
3	2	3	2	2	3	
4	3	4	3	3	4	
-	4	-	4	4	5	
5	5	5	5	5	6	
6	6	6	6	6	7	
-	-	7	7	7	8	
7	7	8	8	8	9	
8	8	-	-	9	10	
-	9	9	9	-	11	
9	10	10	10	10	12	
10	11	11	11	11	13	
11	12	12	12	12	14	
12	-	13	-	12	15	
13	13	14	13	13	16	
14	14	15	14	14	17	
15	15	16	15	15	18	
-	16	17	16	-	19	
16	17	18	17	16	20	
17	18	-	-	17	21	
18	-	-	18	18	22	
19	19	19	19	19	23	
20	20	20	20	20	24	
21	21	21	21	21	25	
22	22	22	22	22	26	
23	23	23	23	23	27	
24	24	24	24	24	28	