

PAXX-SO-652D-x Data Sheet

20-32 pin SO socket/DIP 0.3" or 0.6" plug

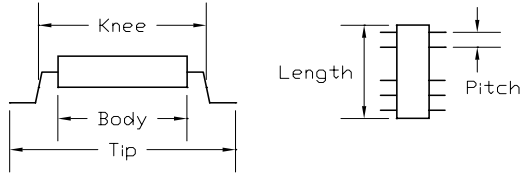
Supported Device/Footprints

Using these adapters, 20 through 32 pin SO packages with a body width of 7.4mm - 7.7mm and lead pitch of 1.27mm can be programmed on DIP programmers.

Each adapter is for a particular pin count. Lower pin count devices can fit in the socket but will not be aligned by the socket. If desired, a careful user can align the device before closing the socket.

Device Dimensions

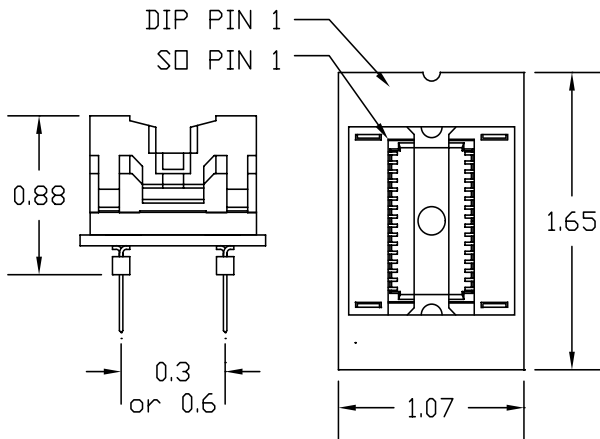
This socket can accept devices of the following dimensions:



Body mm (inches)			Knee mm (inches)		
min.	typ.	max.	min.	typ.	max.
7.4	7.55	7.7	n/a	8.9	9.0
(0.291)	(0.297)	(0.303)		(0.350)	(0.354)

Tip mm (inches)			Body Length	Lead Pitch
min.	typ.	max.	20.73	max. 1.27
10.37	10.57	10.77	(.816)	(0.050)
(0.408)	(0.416)	(0.424)		

Adapter Dimensions



PA32SO-652D-6

Adapter Parts & Part Numbers

The following chart shows the various socket and board part numbers that make up these adapters.

Adapter	Plug	Socket	Board
PA20-SO-652D-3	0.3"	20SD-652D	32SO-W1-3-20
PA20-SO-652D-6	0.6"	20SD-652D	32SO-W1-6-20
PA24-SO-652D-3	0.3"	24SD-652D	32SO-W1-3-24
PA24-SO-652D-6	0.6"	24SD-652D	32SO-W1-6-24
PA28-SO-652D-3	0.3"	28SD-652D	32SO-W1-3-28
PA28-SO-652D-6	0.6"	28SD-652D	32SO-W1-6-28
PA32-SO-652D-3	0.3"	32SD-652D	32SO-W1-3
PA32-SO-652D-6	0.6"	32SD-652D	32SO-W1-6

Adapter Construction

The adapter is made up of 2 sub-assemblies. They assemble via connectors making the adapter modular. This way the sub-assemblies can be replaced easily.

When disassembling the adapter take care not to bend the pins. When reassembling the adapter note the pin 1 indicators to align the parts correctly.

Test Socket

LSC #	Style	Mfgr/Pn
20SD-652D	Open Top	Wells 652D0202211
24SD-652D	Open Top	Wells 652D0242211
28SD-652D	Open Top	Wells 652D0282211
32SD-652D	Open Top	Wells 652D0322211

Wiring

Wiring is 1 to 1. Pin 1 of the SO device is wired to pin 1 of the DIP plug. Pin 2 to pin 2 and so on around the adapter.



Logical Systems Corporation
 PO Box 6184, Syracuse, NY 13217-6184 USA
 Tel (315) 478-0722, FAX (315) 479-6753
 www.logicalsyst.com, Email: info@logicalsyst.com

PAXXSO1-652D-x Data Sheet
 Doc: 32SO-W1.DOC
 Rev 5/28/2003
 Page 1 of 1