

# PA51-DP(-PP) Data Sheet

40 pin DIP ZIF socket/44 pin PLCC plug

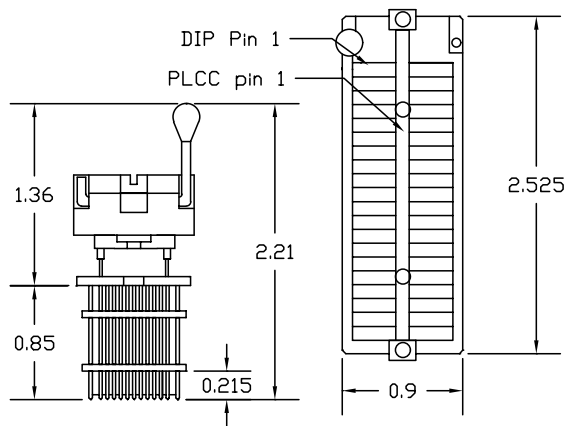
## Supported Device/Footprints

The PA51-DP adapter accepts 40 pin DIP devices and plugs into 44 pin PLCC production sockets. This allows DIP devices, or emulators with DIP plugs, to be used during development of PLCC based products.

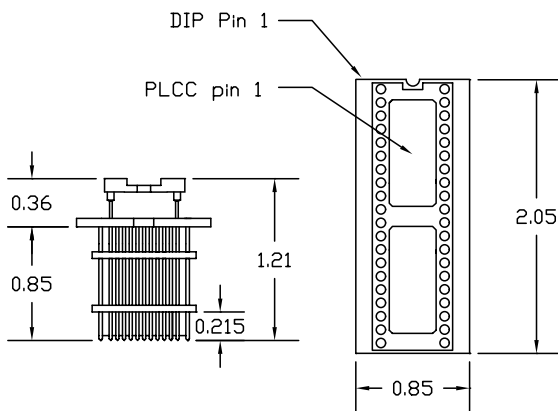
The PA51-DP-PP adapter has a 40 pin production socket only.

Mfgr	Socket		Plug	
	Device	Package	Device	Plug
Many	8051 Family	40 pin DIP	8051 Family	44 pin PLCC

## Adapter Dimensions



PA51-DP



PA51-DP-PP

## Adapter Construction

The adapter is made up of 2 sub-assemblies. They assemble via connectors making the adapter modular. This way the sub-assemblies can be replaced when they wear out.

When disassembling the adapter take care not to bend the pins. When reassembling the adapter note the pin 1 indicators to align the parts correctly.

### Test Socket

Aries Part #: 40-6554-11 LSC Part #: 40ADZ

The PA51-DP-PP has a 40 pin production socket only.

### PA51-DP

Accepts the test socket and remaps the signals to the PLCC plug.

### Test Points

are available using the DIP socket pins (.020 dia. x .130 high).

## Adapter Wiring

The following chart shows the connections from the DIP device to the adapter's PLCC plug.

DEVICE	SIGNAL	PLUG	PLUG	SIGNAL	DEVICE
-	NC	1	-	NC	23
1	P1.0	2	21	P2.0	24
2	P1.1	3	22	P2.1	25
3	P1.2	4	23	P2.2	26
4	P1.3	5	24	P2.3	27
5	P1.4	6	25	P2.4	28
6	P1.5	7	26	P2.5	29
7	P1.6	8	27	P2.6	30
8	P1.7	9	28	P2.7	31
9	RST	10	29	PSEN-	32
10	P3.0	11	30	ALE/PROG-	33
-	NC	12	-	NC	34
11	P3.1	13	31	EA-/Vpp	35
12	P3.2	14	32	P0.7	36
13	P3.3	15	33	P0.6	37
14	P3.4	16	34	P0.5	38
15	P3.5	17	35	P0.4	39
16	P3.6	18	36	P0.3	40
17	P3.7	19	37	P0.2	41
18	XTAL1	20	38	P0.1	42
19	XTAL2	21	39	P0.0	43
20	Vss	22	40	Vcc	44