

PA-SOD-4403-D630-44/2 Data Sheet

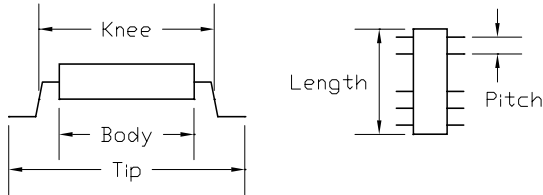
44 pin SO socket/44 pin SO-Plugs

Supported Device/Footprints

Using this adapter, 44 pin count SO packages with a body width of 13.3mm and lead pitch of 1.27mm can be socketed over their PCB footprints.

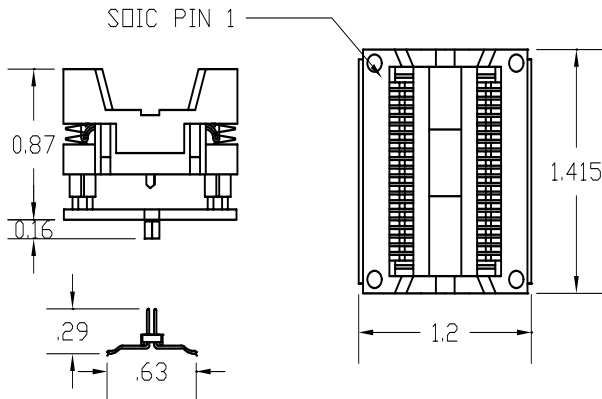
Device Dimensions

This socket accepts devices with the following dimensions:



Body	Knee	Tip	Pitch	Length
13.3 mm typ	14.4 mm	16.0 mm	1.27 mm	28.2 mm typ

Adapter Dimensions



Adapter Construction

The adapter is made up of 2 sub-assemblies. They assemble via connectors making the adapter modular. This way the sub-assemblies can be replaced easily.

When disassembling the adapter take care not to bend the pins. When reassembling the adapter note the pin 1 indicators to align the parts correctly.

The following chart lists the adapter described by this datasheet and its subassemblies.

Adapter	Test Socket	Board	Plug
PA-SOD-4403-D630-44/2	44SD-03	44SOD-03	SOF-D630-44/2

Other SO-Plugs will also mate with this adapter, contact us if you want assistance matching plugs to this adapter.

Test Sockets

LSC #	Style	Mfgr/Pn
44SD-03	Open Top	Enplas OTS-44-1.27-03

Wiring

Wiring is 1 to 1. Pin 1 of the SO device is wired to pin 1 of the plug. Pin 2 to pin 2 and so on around the adapter.